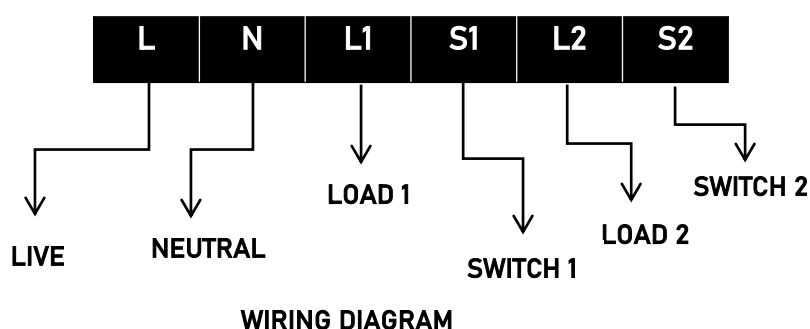


PRODUCT OVERVIEW

Sonetonix WiFi Smart device controlling your lighting & Home appliances. The whole system goes on your wall accompanied by insert Switchboard Modules which sit behind your existing switchboards. The switchboard module enables your appliances to communicate with the Brain of the system, which acts as a connectivity hub, letting you control your appliances through the Smart phone app



WI-RF-0002

TECHINICAL SPECIFICATION

Combination	0 Humming free fan 0 Dimmable load 0 Normal load 2 Heavy load
Operating input voltage	100 -240 VAC.
Supported frequency	50-60 Hz
Communication protocol	Wi-Fi/2.4GHz/RS-485
Max.load (per channel)	4000 watt
Wi-Fi signal strength min	» 50 %
Operating temperature	0°C - 45°C
Product size	84mmx 54mm x 25mm
Shockproof	No
Water resistance	No

FEATURES



Anti-shock switching



Compatible with traditional switches and capacitive switches



Hassle free installation & No rewiring



OTA update support



Optional RS-485 communication