

WI-IO-8

8 Channel Digital input/Output Module



CONTACT US

P: 080-42049370
E: info@sonetnix.com
A: #14, HD Tower, 3rd Floor, Green Garden Main Road, K. Channandra Bengaluru – 560 113

www.sonetnix.com

Features

- The WI-IO-8 is a Din rail Digital Input & Output 8-Channel module that provides Eight digital input dry contact and Eight dry contact closure outputs at 12VoltsDC @ 250mAmps. The Digital I/O contact closure interface with control systems to connect with equipment that has contact closure inputs and outputs Including: Occupancy, vacancy sensors, Card switches, Alarm systems & Switch interface.
- Operating voltage 12V DC @1Amps. Third party automation modules or other Sonetnix modules are interfaced through high speed 2.4Ghz Wi-Fi technology & S-NET communication.

Other Features

- 8 channels to provide Digital interface
- 8 channels to provide Digital Output.
- Can sense contact closure signal from a door switch, motion sensor, keypad etc.
- Restores channel status upon power reset
- LEDs on the modules indicate communication to a Sonetnix network, input power to the module, and output power to the load.
- 0.96 inch OLED Display indicates the S-NET ID (default) or IP Address.
- Status indication LEDs for each channel
- Easy installation with DIN rail mounting

Front Panel

Two Push button switches on the front panel provide three functionalities. One the (1) SETUP BUTTON SWITCH used to configure and set up the device. (A) WHEN DOUBLE TAP the SETUP BUTTON SWITCH it will change the device from wired to wireless mode and vice-versa. (B) WHEN LONG PRESS the SETUP BUTTON SWITCH for 5 sec it will erase all data stored in the device. (C) Single tap the setup button, user can read the ID or IP Address using 0.96 inch OLED Display. The other one (2) RESET SWITCH used reset the device.

S-NET

The WI-IO-8 communicates with a 3rd Party control system via the S-NET control network. A pair of S-NET ports is provided on the WI-IO-8 for easy daisy-chaining of several DIN Rail Series automation control modules.



ELECTRICAL SPECIFICATION

- **Operating Voltage** : 240VAC ,50/60H
- **Digital Input Voltage** : 5V
- **Max Load Current per Channel** : AC-10Amps(NO) / 3Amps(NC)
DC- 5Amps(NO) / 3Amps(NC)
- **Operating Temperature** : 0 - 45 °c
- **S-NET Power Usage** : 4.08W (0.34A@12Volts)

CONTROLS & INDICATIONS

- **PWR** : 1) Red LED illuminates when DC power is applied to the power port
- **COM** : (1) Yellow LED, indicates communication with the control processor
- **NW** : Bi-colour LED Red Indicates connection loses with router & Green indicates connection established.
- **CH1 - CH8** : (Blue) Channel status indication LEDs
- **Setup, Reset** : Miniature push button switches to configure and reset the device manually
- **Manual Switch (1-2)** : (2) Miniature push button switches for changing device ID manually
- **OLED Display:** (1) 0.96 inch display to monitor the Device ID or IP Address

CONNECTIONS

- **Digital Outputs(1-8)** : (2) 10-pin mm detachable terminal blocks with SPST relay switch circuit @5A per channel. (1) 2-pin 7.62 mm detachable terminal blocks with SPST relay switch circuit @10A per channel.
- **S-NET** : (2) 4-pin 3.81mm detachable terminal blocks for S-NET communication
- **Digital Inputs (G, 1-8)** : (2) 5-pin 3.81mm detachable terminal block to provide Digital inputs

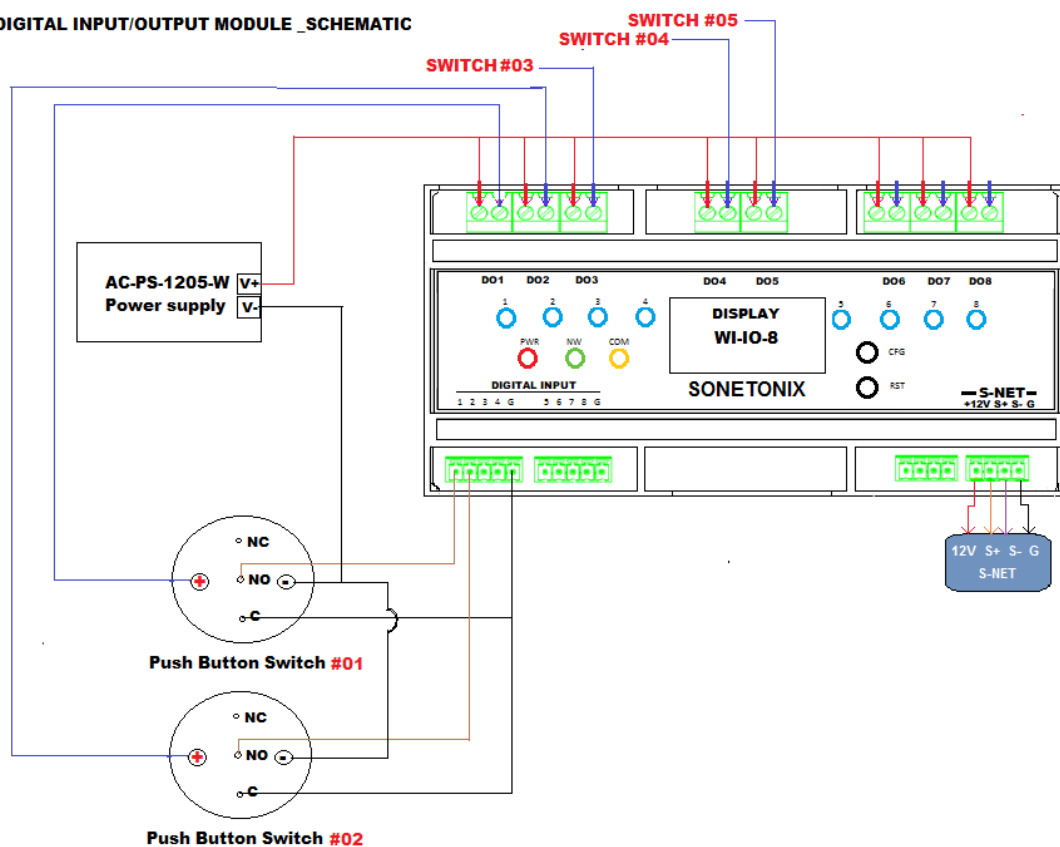
WI-IO-8

8 Channel Digital input/Output Module



APPLICATION DIAGRAM

DIGITAL INPUT/OUTPUT MODULE _SCHEMATIC



– Dimensions and weight

- Height** : 3.71 Inches.
- Width** : 6.26 Inches.
- Depth** : 2.35 Inches.
- Weight** : 369 Grams.