



CONTACT US

P: 080-42049370
E: info@sonetnix.com
A: #14, HD Tower, Green Garden Main Road,
 K. Channandra, Bengaluru – 560 113

www.sonetnix.com

Features

- Sonetnix 0-10V Fluorescent/LED Dimmer offers a wide range of dimming levels for enhanced smooth dimming. The 0-10V Fluorescent/LED Dimmer can be interfaced using our Touch Keypads or or interfaced with any 3rd party processor. Up to 2200W loads can be controlled from a Fluorescent/LED Dimmer with 10A current rating per channel.
- As with other Sonetnix products, all S-NET commands are available to use and program the Device as per user needs thus extending its functionality.
- Third party automation modules or other Sonetnix modules are interfaced through RS-485 or High speed 2.4 GHz WI-Fi technology communication.

Other Features

- 8 channels of Fluorescent/LED Dimmer, standard type @10A per channel
- 8 channels of relay controller for ballast cut-off or switching of other lighting loads such as incandescent, motors and exhaust fans
- Supports 0-10V dimmable fluorescent ballasts and LED drivers
- Rated 10Amps per channel,80Amps total at 220-240 Volts AC
- Restores channel status upon power reset
- LEDs on the modules indicate communication to a Sonetnix network, input power to the module, and output power to the load.
- Low voltage control interface for each channel
- Status indication LEDs for each channel
- Easy installation with DIN rail mounting
- 0.96 inch OLED Display indicates the S-NET ID (default) or IP Address.
- individual Buttons to control the individualchannel

Front Panel

Two Push button switches on the front panel provide three functionalities. One the (1) SETUP BUTTON SWITCH used to configure and set up the device. (A) WHEN DOUBLE TAP the SETUP BUTTON SWITCH it will change the device from wired to wireless mode and vice -versa.(B) WHEN LONG PRESS the SETUP BUTTON SWITCH for 5 sec it will erase all data stored in the device.(C) Single tap the setup button, user can read the ID or IP Address using 0.96 inch OLED Display. The other one (2) RESET SWITCH used reset the device.

S-NET

The WI-FL-8 communicates with a 3rd Party control system via the S-NET control network. A pair of S-NETports is provided on the WI-RL-8 for easy daisy-chaining of several DIN Rail Series automation control modules.



ELECTRICAL SPECIFICATION

- **Operating Voltage** : 240VAC ,50/60H
- **Maximum Power Per Channel** : 2200 W
- **Max Load Current per Channel** : 10 A
- **Operating Temperature** : 0 - 45 °c
- **Module Total current** : 80 A
- **S-NET Power Usage** : 6 Watt (0.5A @12Volts)

CONTROLS & INDICATIONS

- **PWR** : (1) Red LED illuminates when DC power is applied to the power port
- **COM** : (1) Yellow LED, indicates communication with the control processor
- **NW** : Bi-colour LED Red Indicates connection loses with router & Green indicates connection established.
- **CH1 - CH8** : (Blue) Channel status indication LEDs
- **Setup, Reset** : Miniature push button switches to configure and reset the device manually
- **Manual Switch (1-8)** : (8) Miniature push button switches to control the device manually
- **OLED Displa** : (1) 0.96 inch display to monitor the Device ID or IP Address

CONNECTIONS

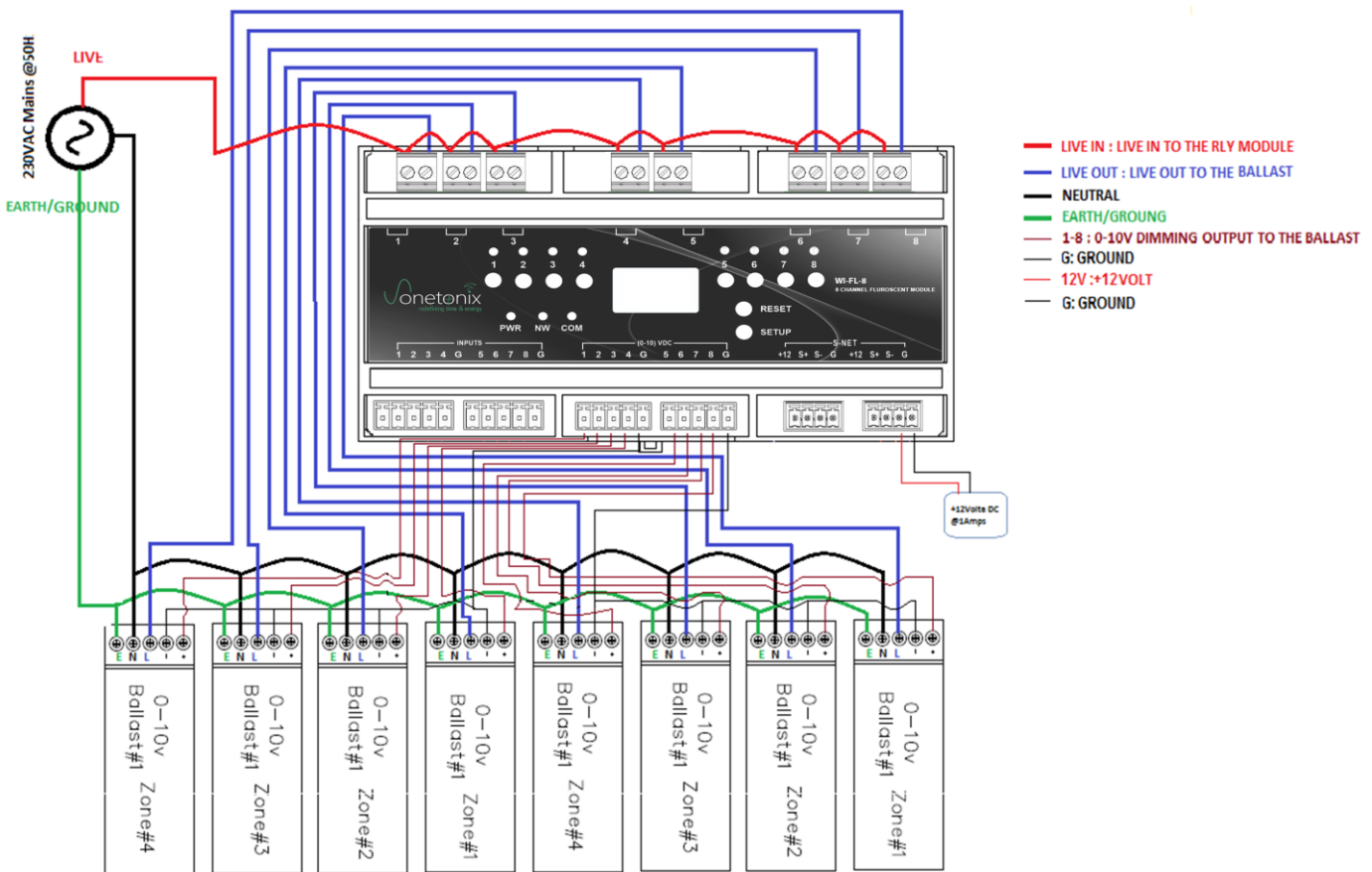
- **CHANNELS (1-8)** : (8) 2-pin 7.62 mm detachable terminal blocks with SPST relay switch circuit @10A per channel.
- **S-NET** : (2) 4-pin 3.81mm detachable terminal blocks for S-NET communication
- **LV TRIGGERS (G, 1-8)** : (2) 5-pin 3.81mm detachable terminal block to provide low voltage trigger to each channel.
- **OUTPUT (1 to 4, G & 5 to 8, G)** : (2) 5-pin 3.81mmdetachable terminal blocks to provide 0-10V input to the Ballast

WI-FL-8

Fluorescent / LED Dimmer Module



APPLICATION DIAGRAM



— Dimensions and weight

- **Height** : 3.71 Inches.
- **Width** : 6.26 Inches.
- **Depth** : 2.35 Inches.
- **Weight** : 369 Grams.